

1660
C.H. 1160



LECTURE NOTES FOR

PROTEUS

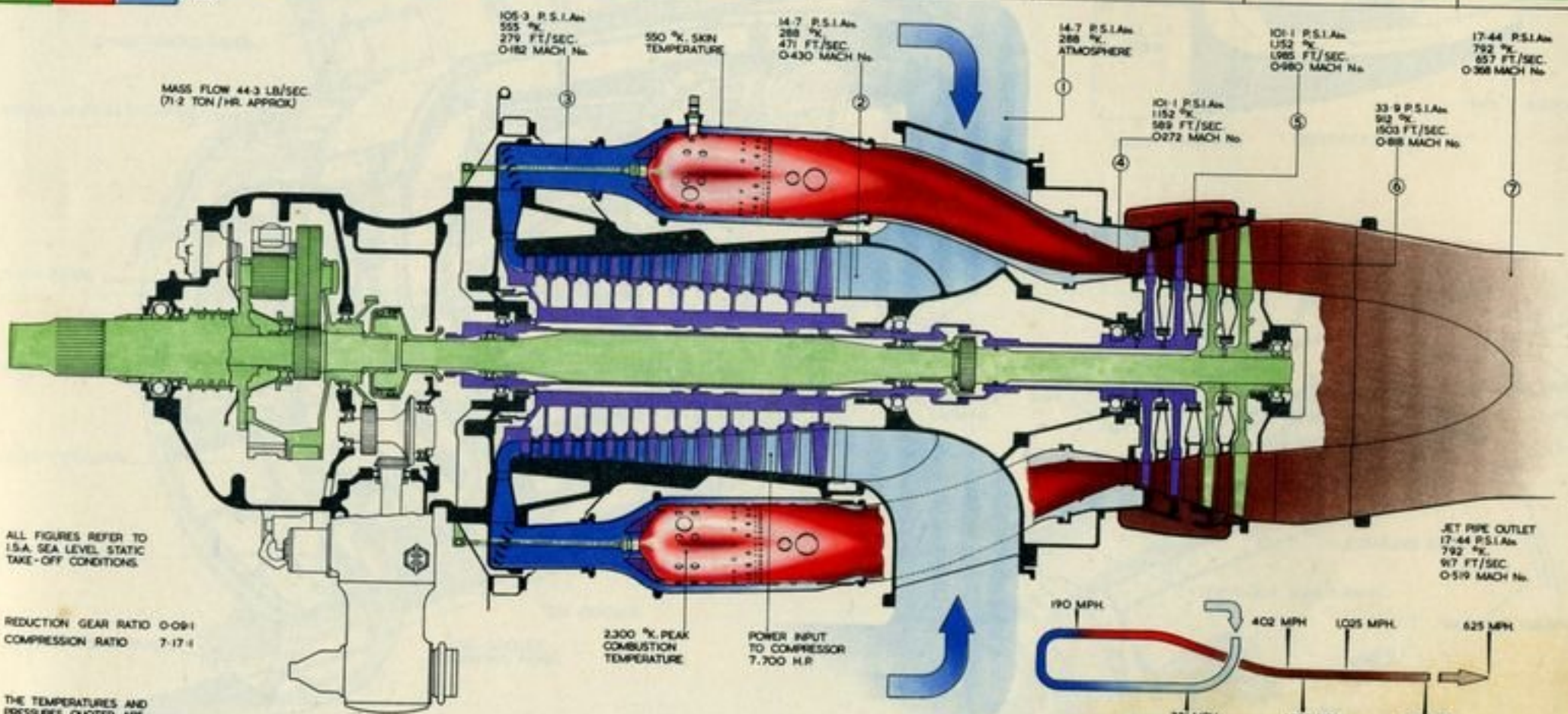
SERIES

ENGINE

BRISTOL AERO-ENGINES LIMITED
FILTON HOUSE, BRISTOL, ENGLAND

E. P. ...

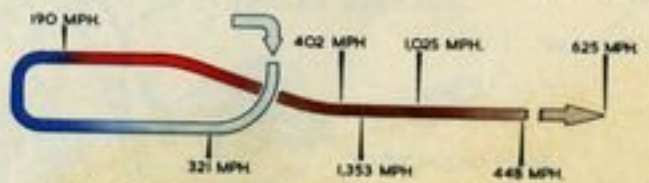
PRESSURE P.S.I.Am	TEMP °F.	VELOCITY M.P.H.	STATION
100	1250	1500	①
75	1000	1125	②
50	750	750	③
25	500	375	④
0	250	0	⑤
			⑥
			⑦
			EXHAUST



ALL FIGURES REFER TO I.S.A. SEA LEVEL STATIC TAKE-OFF CONDITIONS.

REDUCTION GEAR RATIO 0.091
COMPRESSION RATIO 7.17:1

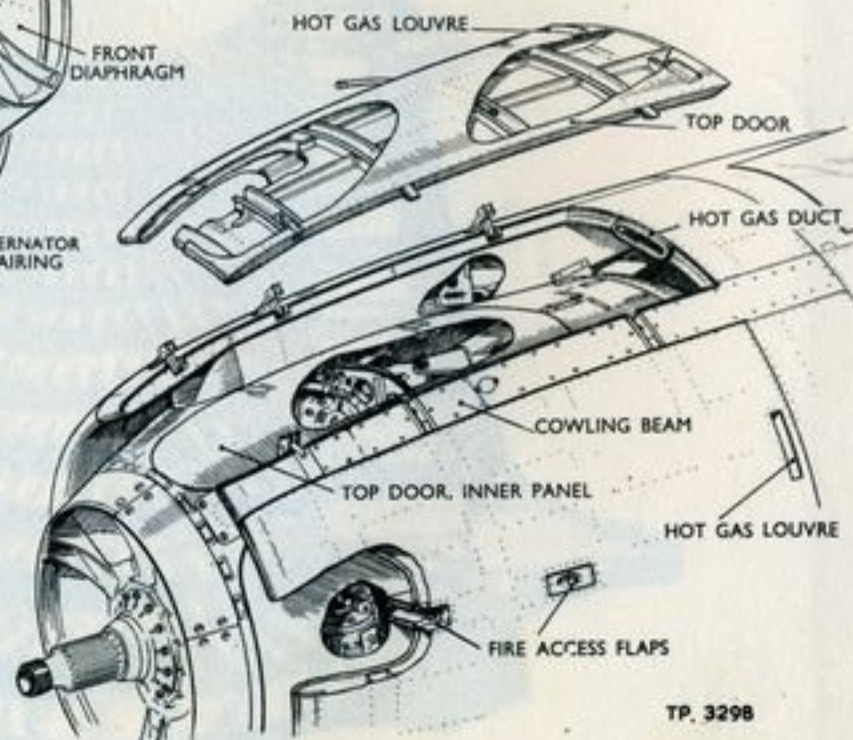
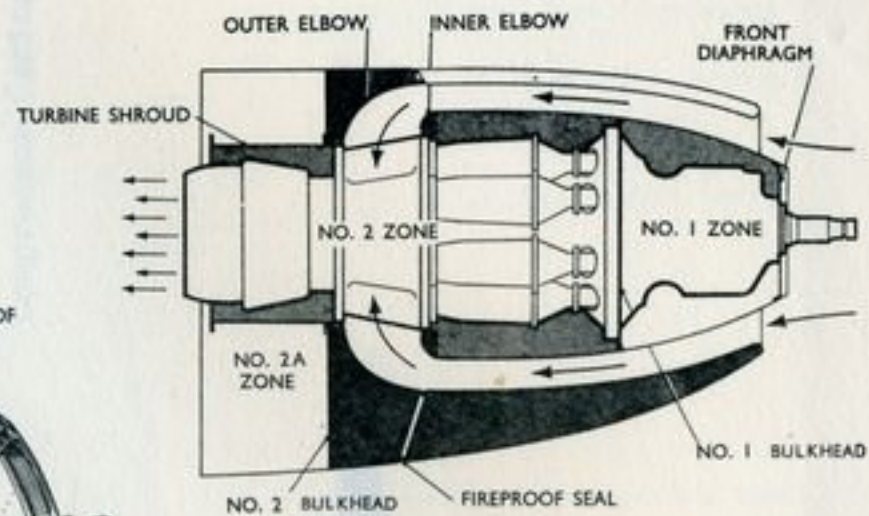
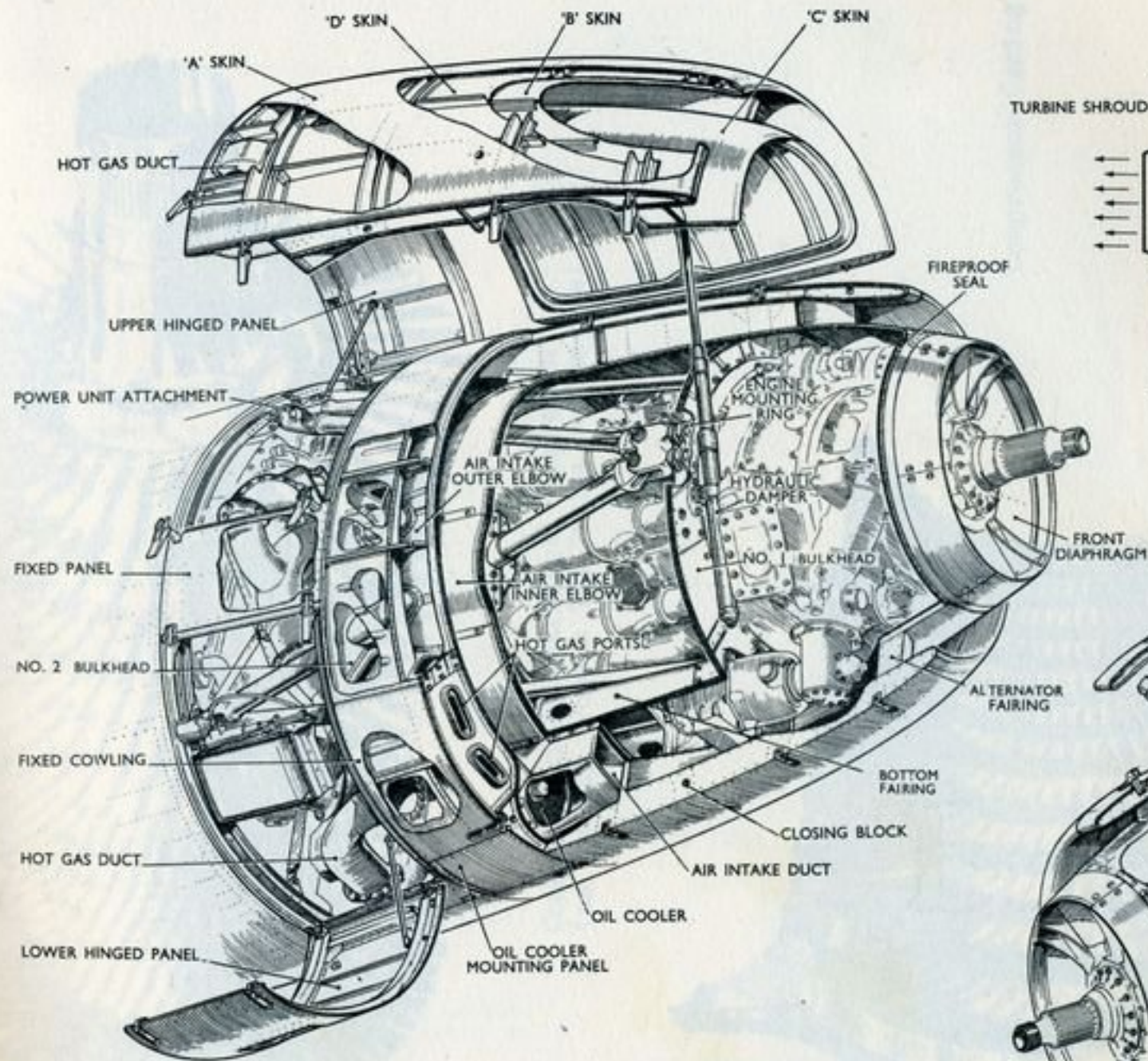
THE TEMPERATURES AND PRESSURES QUOTED ARE THE TOTAL HEAD VALUES.



GAS FLOW DIAGRAM - PROTEUS 755

TP 3198

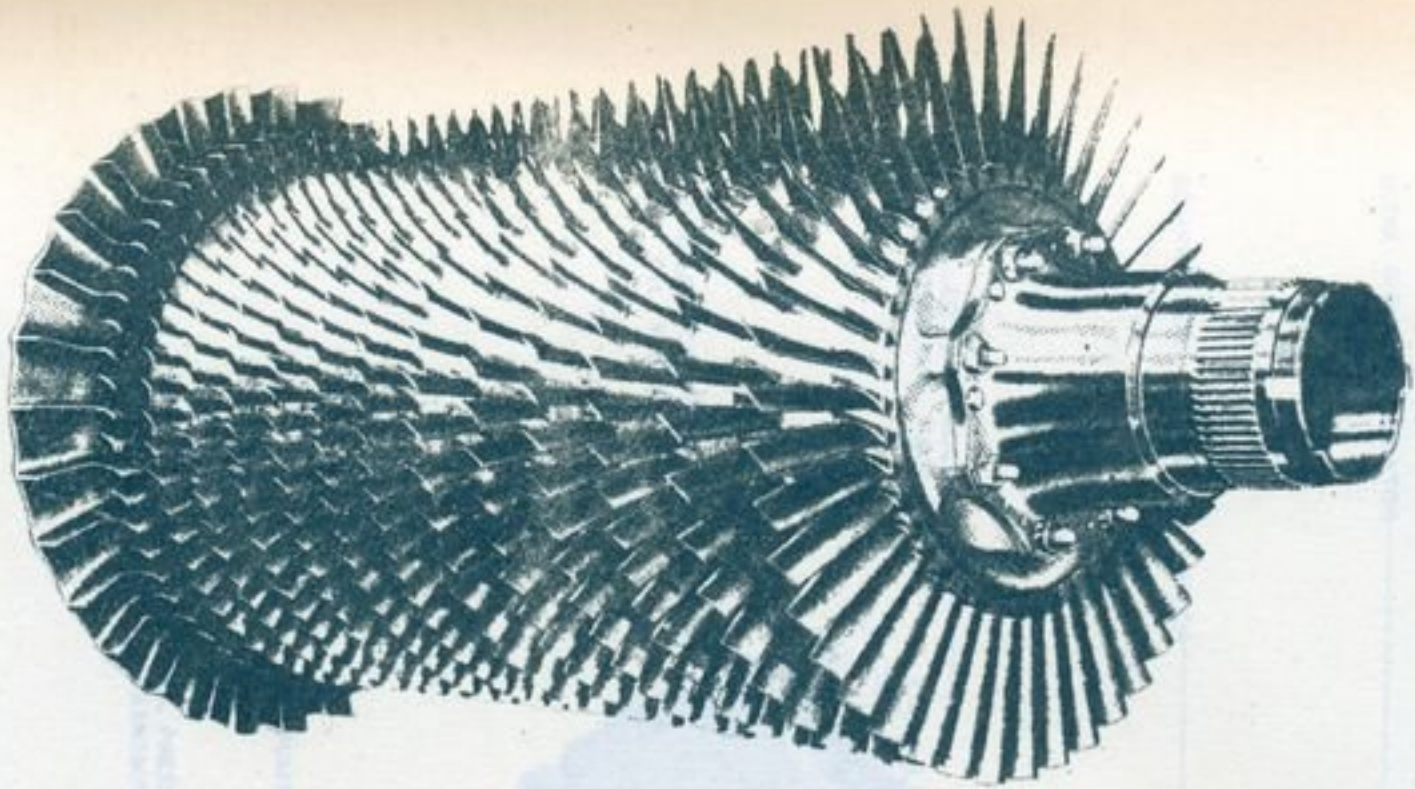




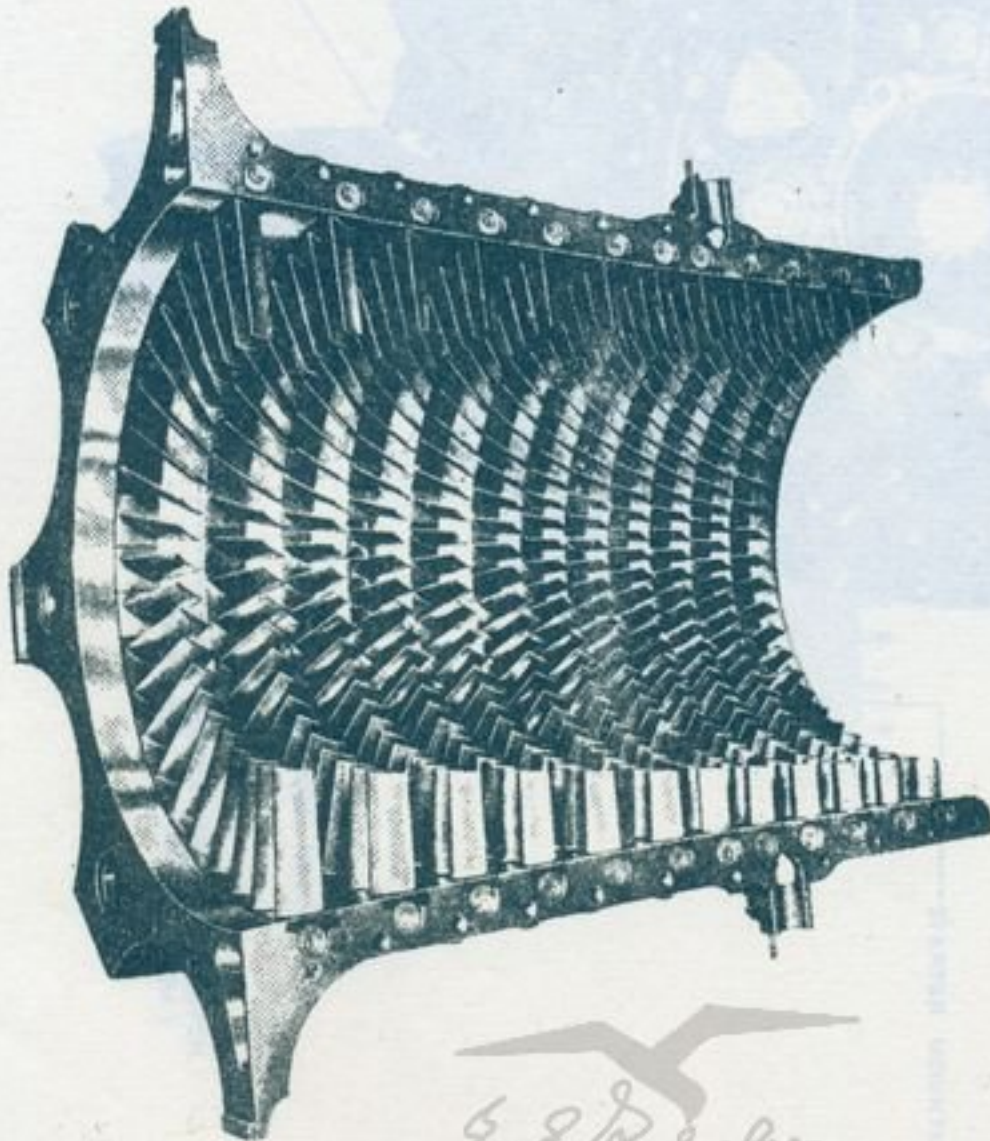
TP. 3298

Proteus 755 power plant





Combined Axial-Centrifugal Compressor
(as used in Proteus 755 Turbo-Prop Engine)



Compressor Casing.


E. P. Dewberry